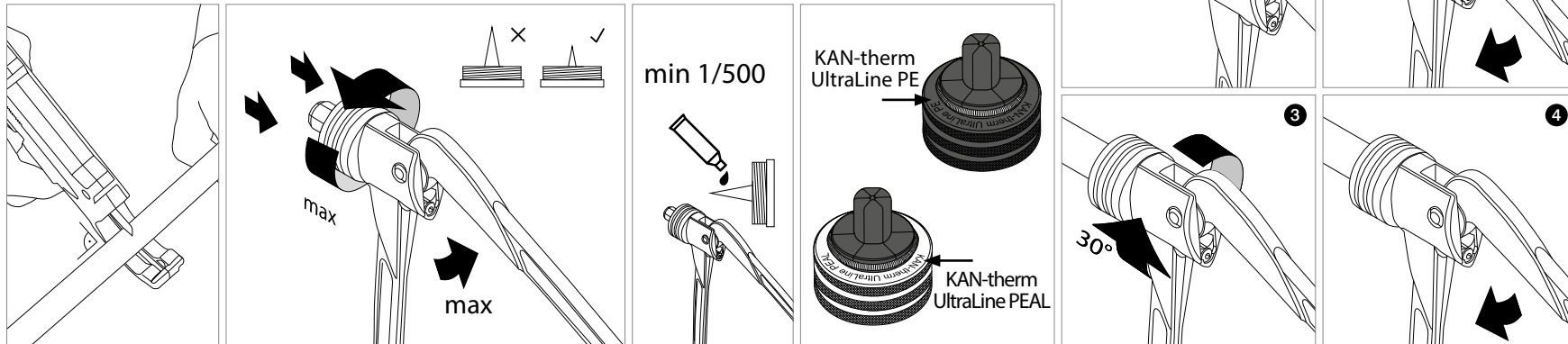


System **KAN-therm** UltraLine 14-32 mm **EKSPANDER RĘCZNY**



www.kan-therm.com



20/01-V1.1-9922186016

ISO 9001